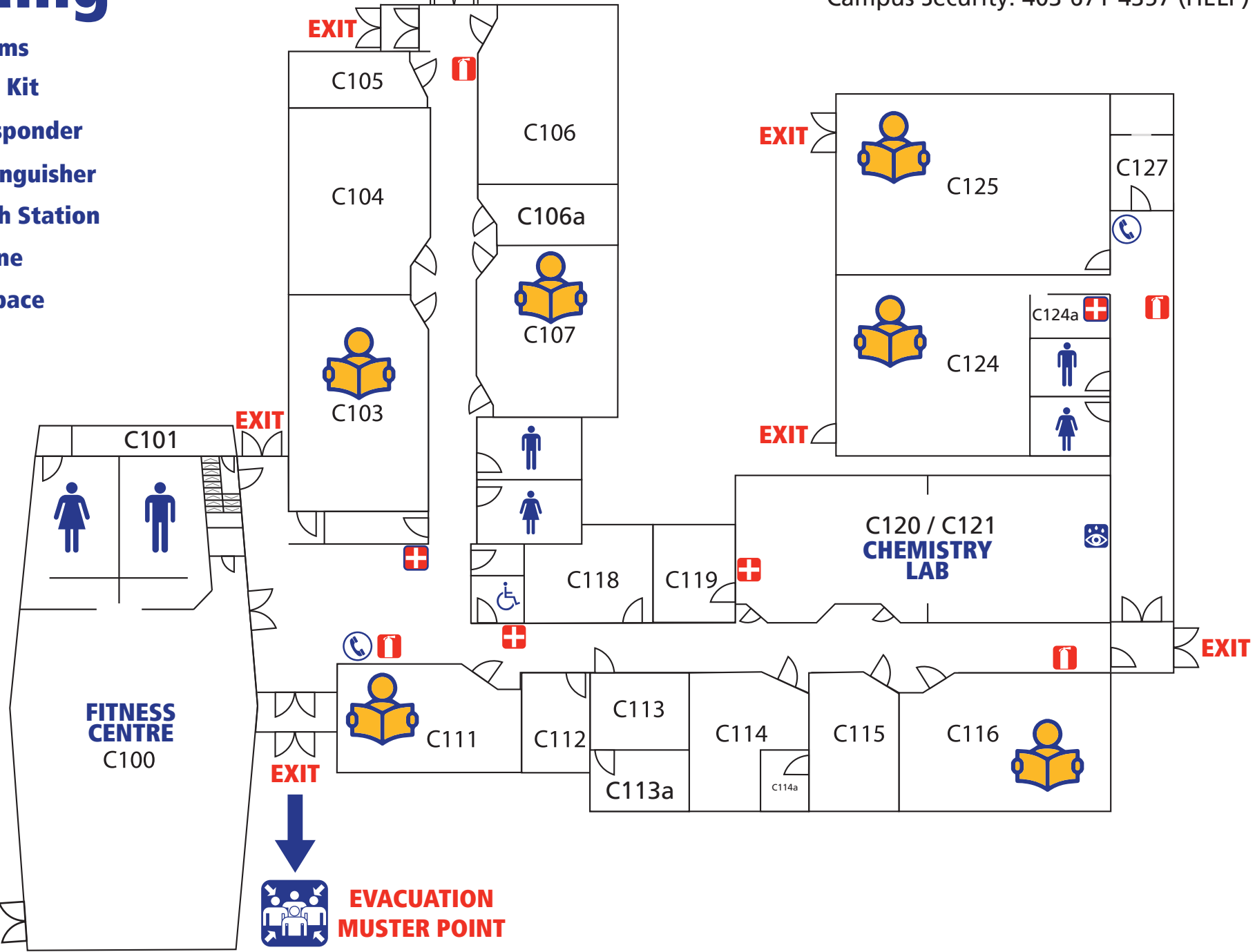


Classroom Building

Towards McGivney Hall

EMERGENCY TELEPHONE NUMBERS:
Emergency: 9-1-1
Main Office: 403-531-9130
Facilities Manager: 403-254-3733
Campus Security: 403-671-4357 (HELP)

-  Bathrooms
-  First Aid Kit
-  First Responder
-  Fire Extinguisher
-  Eye Wash Station
-  Telephone
-  Study Space



EXIT



EVACUATION MUSTER POINT